



Engineering Technologies Pvt. Ltd.

TRUSTED PARTNER FOR PROCESS & FACTORY AUTOMATION SOLUTIONS

ABB TX – GA DRAWINGS



—
**VALUE
PROVIDER**

ABB STANDARD PRESSURE TRANSMITTER



ABB STANDARD PRESSURE TRANSMITTER

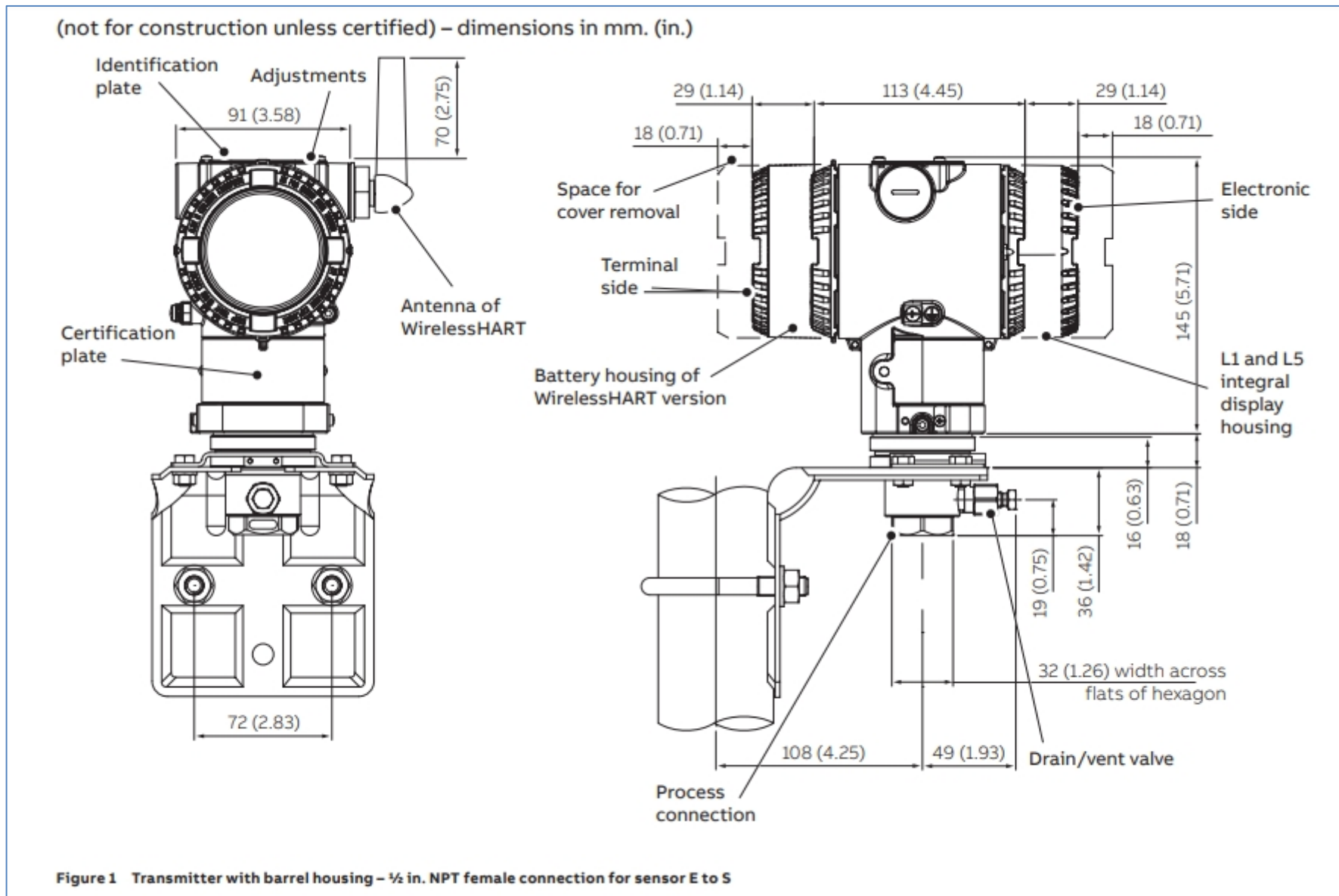


ABB STANDARD PRESSURE TRANSMITTER



ABB PT WITH 2 WAY BLOCK & BLEED TYPE SS MANIFOLD

2 WAY MANIFOLD DRAWING

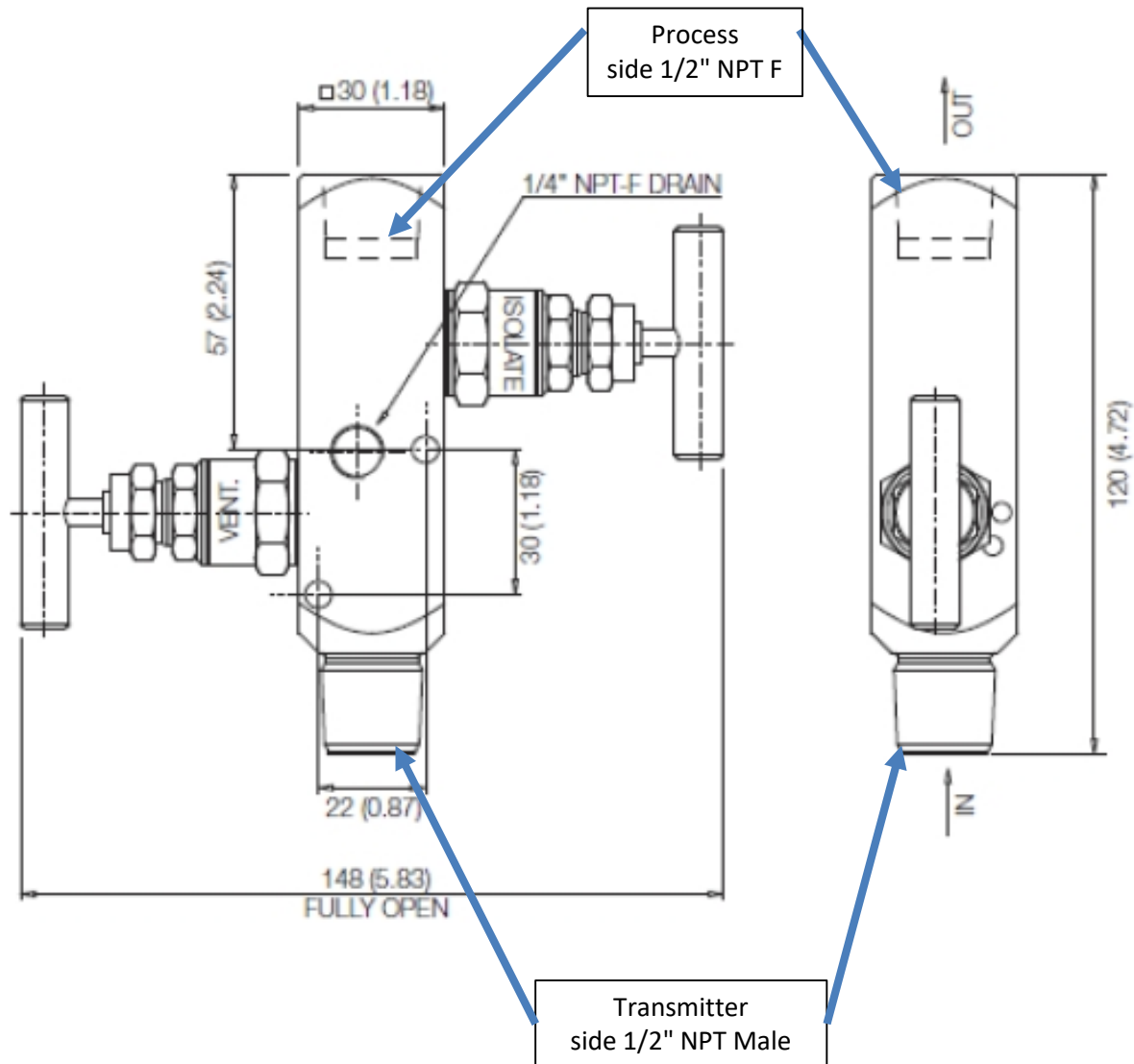


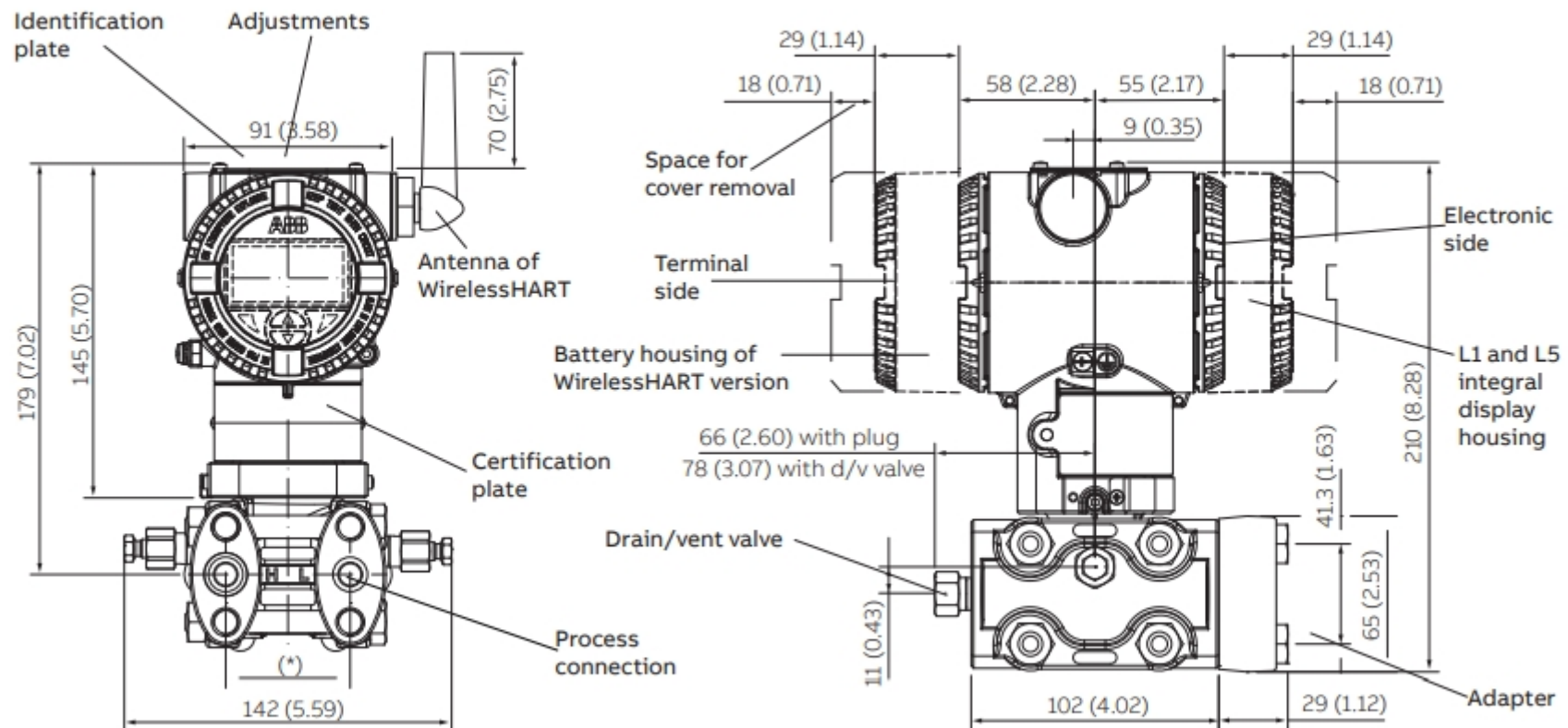
ABB STANDARD DP TRANSMITTER



ABB STANDARD DP TRANSMITTER

Dimensions

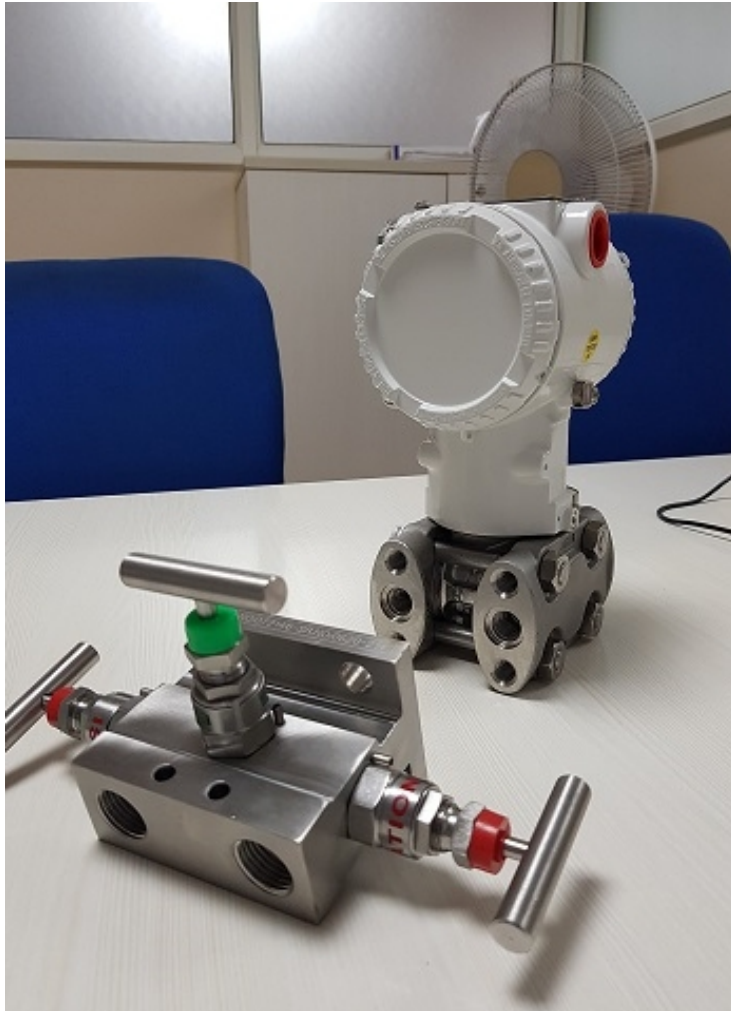
(not for construction unless certified) – dimensions in mm. (in.)



(*) 54 (2.13) mm (in) on 1/4 – 18 NPT process flange; 51 (2.01), 54 (2.13) or 57 (2.24) mm (in) according to 1/2 – 14 NPT adapters fitting 54 (2.13) mm (in) with negative side provided with a removable filter for gauge measurement (version 266DSHxP)

Figure 1 Standard static transmitter with barrel housing - horizontal flanges

ABB STANDARD DP TRANSMITTER



DPT & MANIFOLD



**3 WAY T TYPE SS
MANIFOLD FITTED ON
DP TX**

3 WAY MANIFOLD DRAWING

